



See product video




Attachments / **Railway**


Levelling Plough AVP

Efficient tool for gravel and ballast


Levelling Plough AVP is developed for gathering and spreading gravel and ballast efficiently. The share height is adjustable and the share is made of high strength ballast rubber. The robust design and replaceable share protect rail and fastenings during operation.

Several brackets are available. The levelling plough is cone-shaped to access with the narrow end between rails, for example at railway switches.

 Do you have any questions? Contact us!

 **Efficient**
Easy to use

 **Design**
Robust design

 **Good protection**
Protects rail and fastenings with replaceable share

More information

Features

- Share made of high strength ballast rubber
- Adjustable share height
- Adapted for narrow spaces between rails

Detailed description

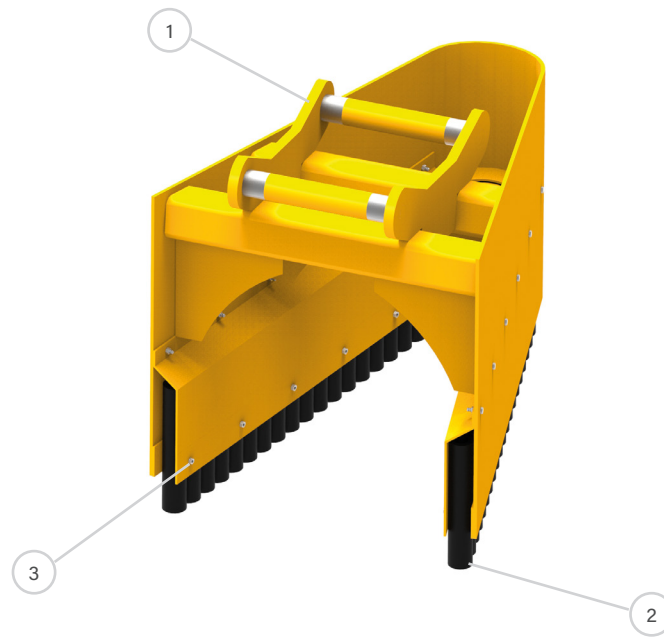
- Weight: 215 kg
- Width: 800 mm
- Length: 1200 mm
- Height: 700 mm

Machine requirements

- Recommended machine weight: 8-20 ton

Product	Item number	Bracket	Weight (kg)	Width (mm)
AVP	178-00107-000-01	S45	170	800
AVP	178-00109-000-01	S50	170	800
AVP	178-00111-000-01	S60	170	800

Product description and accessories



1. Bracket

2. Share made of ballast rubber

3. Adjustable share height

Technical specification

