



See product video


Attachments / **Railway**

Lid Opener LÖP G2

Smooth lifting and positioning of cable trench lids

Generation 2 of the Lid Opener is an efficient tool for quick cable installation in existing cable trenches with concrete lids, both on-top and lowered types.


The lid opener is adjustable for lids up to 75 mm thickness and recommended trench wall thickness 50–80 mm, with the possibility to adjust for greater thickness if required.

 Do you have any questions? Contact us!



 **High safety**

Quick and safe lifting of cable trench lids

 **Adjustable**

Adjustable for different thicknesses and widths

 **Flexible**

Can be used for both on-top and lowered lids

More information

The standard model is adjustable from 142–670 mm, optimal for lids 350–645 mm wide, and can be adjusted for lowered lids with minimum width 130 mm (change of extension rods is recommended for lids smaller than 350 mm).

Features

- Adjustable width: 142–670 mm
- Optimized for lids 345–645 mm wide
- Adjustable for lid thickness up to 75 mm

Detailed description

- Extension kit available for lids 655–1055 mm with inner trench dimension 510–910 mm

Machine requirements

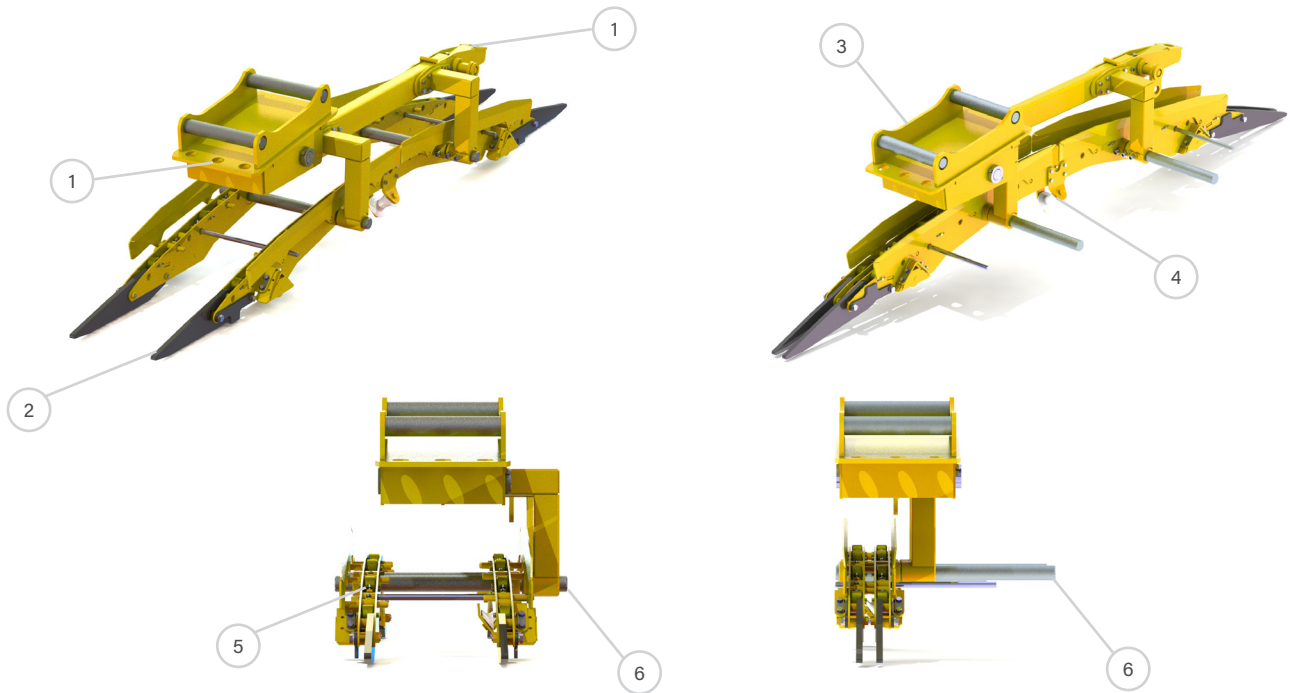
- Recommended machine weight: 4–24 ton
- Weight: 290 kg (excluding bracket)

Accessories

Bolt-on Bracket AGS, Extension kit

Product	Operating weight (t)	Item number	Bracket	For lids (mm)	Weight (kg)
LÖP 03	4 - 24	170-03228-000-00	Hole pattern	345 - 645	290
LÖP 03-T	Extension kit Lid Opener				

Product description and accessories



1. Towing holes

2. "Pick-up" Lid lift rail

3. Bolt-on adapter

4. Cable guide

5. Transport wheel

6. Adjusting rods (exchangeable)

Technical specification

