



See product video




Attachments / **Railway**

Sleeper Layer with fastclip module RUS33 CLF

Quick laying and fastening of sleepers

Sleeper Layer RUS33 CLF handles sleepers from a stack or trolley and fastens them under the rails in the same operation as the laying, thanks to the fastclip module (CLF) for Fastclip FC and FE. The model is also available without the fastclip module for sleeper laying with manual fastening, both on the ballast bed and up against the rail. 1435 mm track gauge as standard.

 Do you have any questions? Contact us!

 **Efficient**

Laying and fastening in the same operation

 **Fewer personnel**

Reduces the need for personnel around the track

 **Smooth operation**

Suitable for tight areas and sensitive ballast beds

 **Stable delivery**

Delivered with transport stand

More information

The concept for track construction increases efficiency by 25%. The method creates a safer workplace and reduces the need for personnel around the track. It is particularly suitable in tight areas where access routes cannot be built or where no space is available for working machines beside the track.

The concept for track construction consists of: Rail Lift on wheels RLF, Sleeper Layer with fastclip module RUS33 CLF that handles Fastclip FE and FC together with 50–60 kg rail, and SleepersTrolley SLF for transportation of sleepers.

Features

- Handles Fastclip FC and FE
- 50–60 kg rail
- Possibility to change Setup for adaptation to different rail and sleeper types

Detailed description

- Weight: 1960 kg (including transport stand 2060 kg)
- Max load: 3 × 360 kg
- Total weight incl. load during operation: 3040 kg

Machine requirements

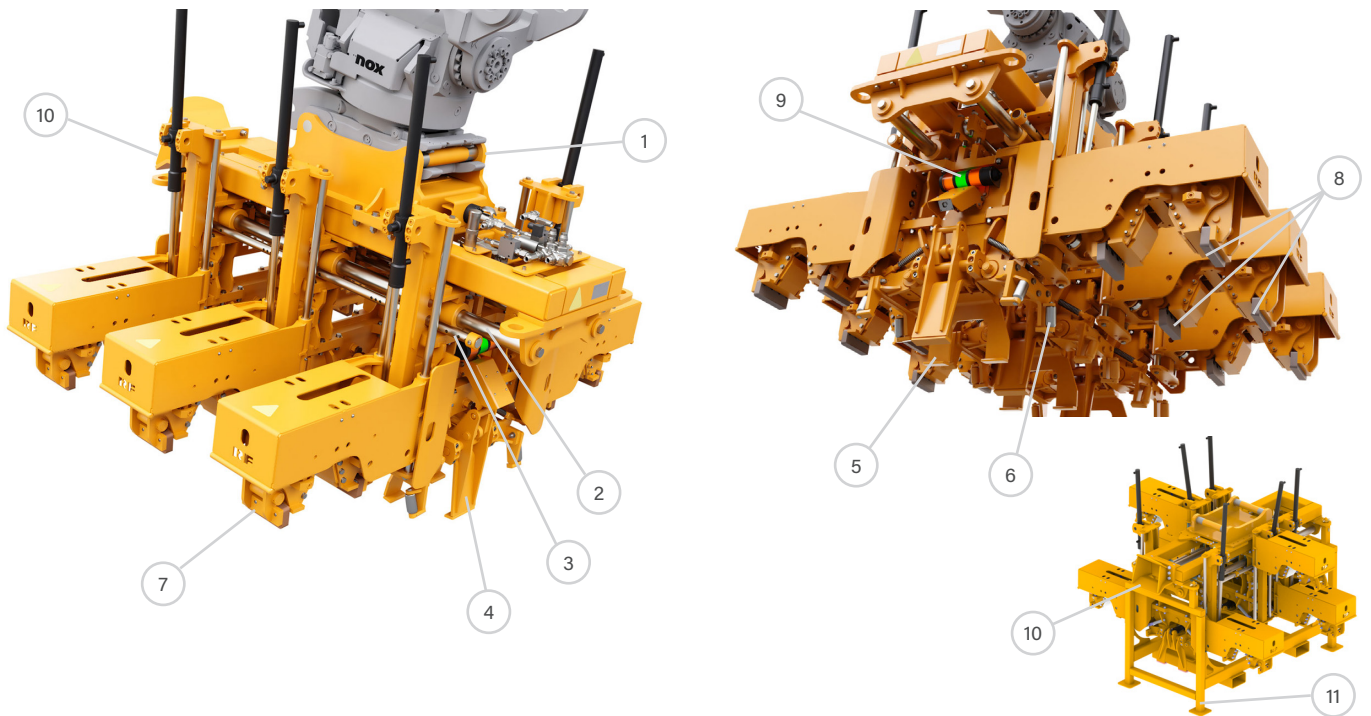
- Recommended operating weight: 15–24 ton
- 2 double-acting hydraulic functions
- 1–2 electrical functions (1 electrical function standard, 1 electrical function for constant voltage to laser meter optional)
- Indicator light for electric valve
- Pressure: max 200 bar, min 175 bar
- Oil flow: 30–60 l/min

Accessories

Range finder (laser) with lamp set for correct sleeper laying. Fully automatic quick coupler systems from all manufacturers

Product	Operating weight	Item number	Description	Bracket	Weight (kg)	Type of arms	Number of sleepers lifted
RUS33	15 - 24	156-33000-000-00	Sleeper Layer prepared for fastclip module	Bolt-on Bracket AGS	1080	Center gripping	3
RUS33-T		670-00228-920-00	Fastclip module CLF for RUS33		880		
RUS33-T		9-900-002	Laser Rangefinder				

Product description and accessories



1. Bolt-on bracket

2. Glide axle

3. Adjustable bar

4. Glide section/
Gripping arms

5. Center gripped arms

6. Support rollers

7. Fastclip module

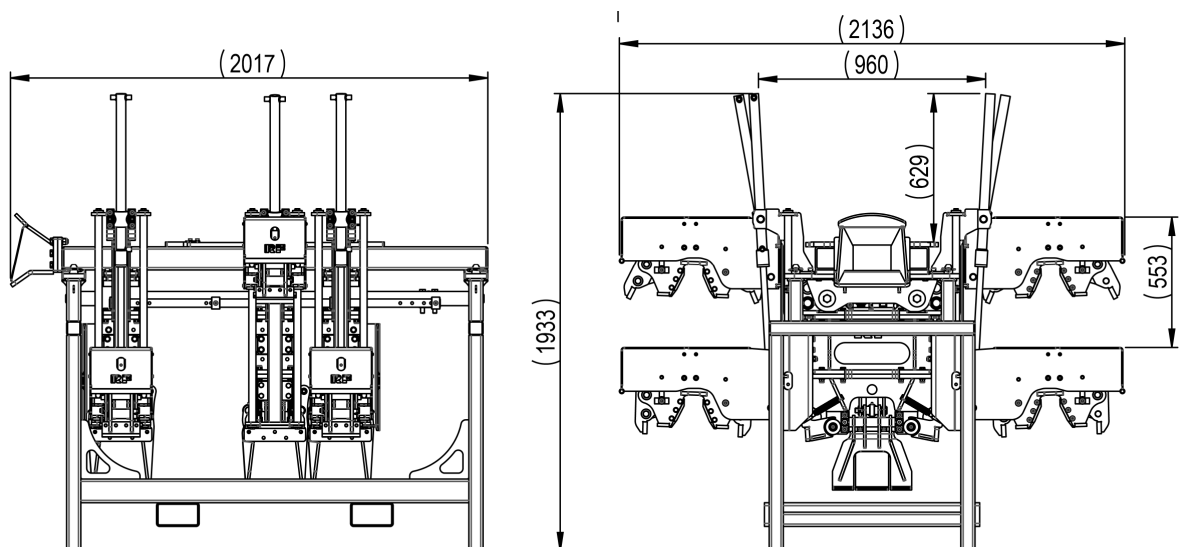
8. Customized
pressure plates

9. Laser rangefinder with
indicator lamps

10. Bracket for
transporting RLF

11. Transport support

Technical specification



Length (mm)	Height (mm)	Width (mm)
2017	1933	2136