


Attachments / **Railway**

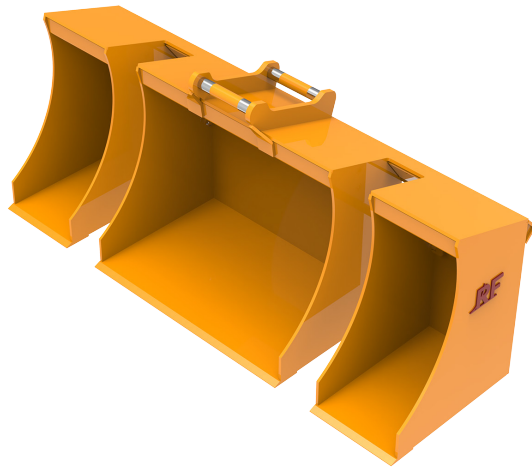
Ballast Bucket SKBS

Sturdy bucket for digging between tracks

Ballast Bucket SKBS is an effective bucket for excavating between tracks. The standard bucket is designed for track gauge 1435 mm with adjustable plunge depth, but can be designed for other track gauges if required.

The bucket is made in strong 400HBW steel, ensuring high wear resistance and long service life.

 Do you have any questions? Contact us!



 **Long service life**

Robust construction for long service life

 **Flexible**

Adjustable plunge depth for flexible use

 **Adaptable**

Can be designed for different track gauges

More information

Features

- Standard track gauge: 1435 mm (can be adapted)
- Manufactured in 400HBW steel

Detailed description

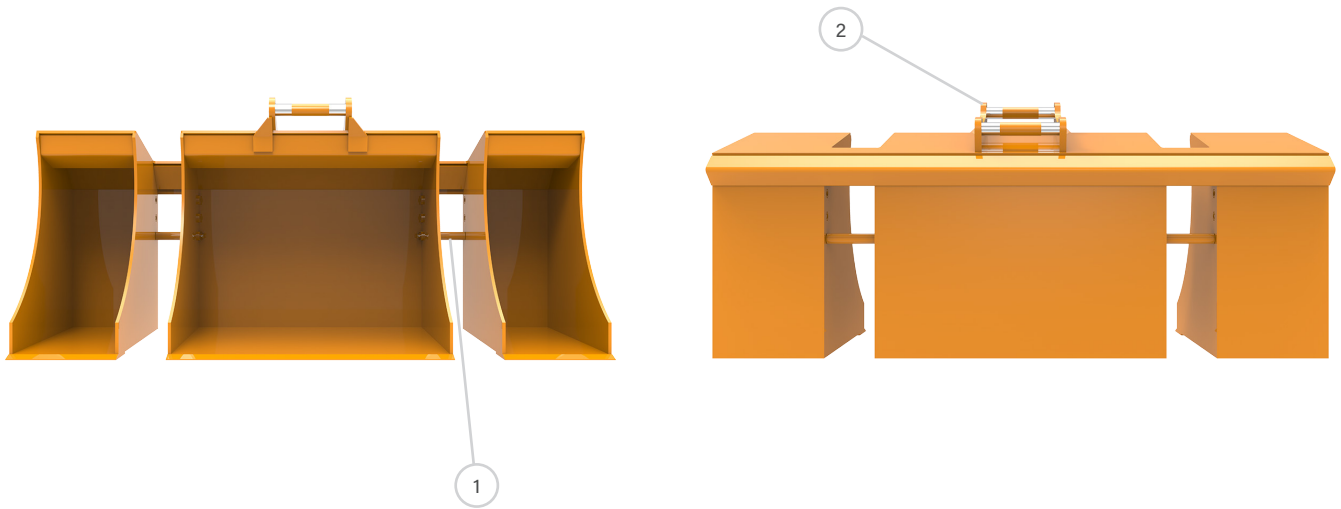
- Weight: 1180 kg
- Width: 2700 mm
- Height: 1060 mm

Machine requirements

- Recommended machine weight: 12–24 ton

Product	Item number	Bracket	Width (mm)	Depth (mm)	Volume (liter)	Weight (kg)
SKBS	605-00107-777-27	S45	2700	800	1140	975
SKBS	605-00109-777-27	S50	2700	800	1140	975
SKBS	605-00111-777-27	S60	2700	800	1140	975

Product description and accessories



1. Axle for adjustable depth

2. Bracket

Technical specification

