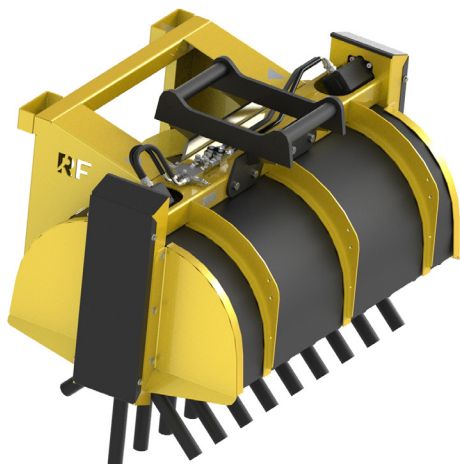




See product video





Attachments / **Railway**


Ballast Sweeper Roller SKBB

Provides an even and stable base for railway tracks


The ballast sweeper roller levels the ballast used as a foundation for the railway track while simultaneously sweeping sleepers and rails clean. It features a robust construction and is specially developed for railway applications. The dual drive ensures smooth operation with high torque and adjustable speed. The rubber hoses protect rails and sleepers from damage. The extra strong frame withstands tough conditions, and the rubber elements are easy to replace when needed. Fork pockets facilitate easy transportation.

 Do you have any questions? Contact us!

 **Construction**
Robust construction

 **Gentle**
Gentle on rails and sleepers

 **Maintenance**
Easy to maintain

 **Application**
Interchangeable roller provides multiple areas of use

More information

The brush can be profiled to match sleeper type and recess for the rail can be ordered. It is also possible to have rollers with different profiles to switch between if required. Bearings and drive chain are included when purchasing a separate roller.

With a separate sweeper roller, you can switch between sweeping ballast and sweeping snow or other materials, giving you two machines in one.

It is also possible to disconnect one motor when sweeping to increase the speed of the roller. With chain drive you get a compact design and protected motor, with the possibility to change drive for another gear ratio.

Features

- Can operate at low speed with high torque thanks to dual motors
- Sweeps both ballast and compacted snow (requires change to sweeper roller)

Detailed Description

- Width from 1000 to 3000 mm

Excavator Requirements

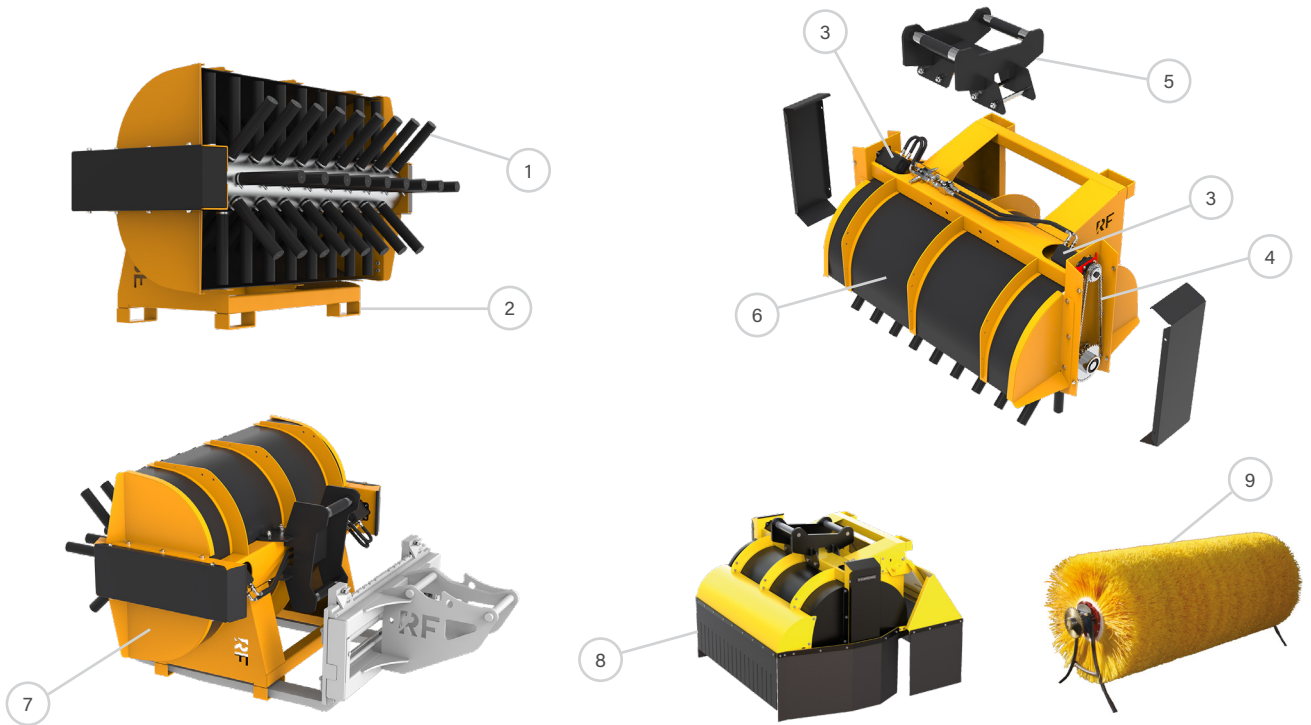
- One hydraulic circuit
- Max pressure: 140 bar
- Oil flow (two motors): 70–100 l/min

Accessories

Bolt-on Bracket AGS SKB, Fully automatic quick coupler systems from all manufacturers, Sweeper roller, Protection kit with rubber skirts, Profiled recesses for rails

Product	Item number	Bracket	Hose (mm)	Motor (ccm)	Oil flow (l/min)	Width (mm)	Weight (kg)	Protection kit
SKBB 10	188-60213-173-10	Hole pattern	55x330	250x2	70-100	1000	380	9-188-012
SKBB 15	188-60213-173-15	Hole pattern	55x330	250x2	70-100	1500	430	9-188-004
SKBB 20	188-60213-173-20	Hole pattern	55x330	250x2	70-100	2000	480	9-193-016
SKBB 26	188-60213-173-26	Hole pattern	55x330	250x2	70-100	2600	520	9-188-013
SKBB 30	188-60213-173-30	Hole pattern	55x330	250x2	70-100	3000	575	

Product description and accessories



1. Ballast hose

2. Fork pockets

3. Motor

4. Chain drive

5. Bolt-on adapter AGS SKB

6. Plastic guard

7. Protection plate

8. Protection kit with rubber skirts

9. Replaceable roller with close-packed bristles

Technical specification

SKBB 26

